

Westbo cookers



**Westbo
Ornament**



**Westbo
Standard**



**Westbo Standard
glass door**

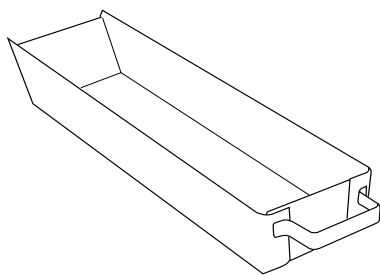


**Westbo HVA26
glass door**

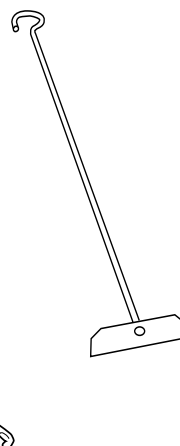


Included in delivery

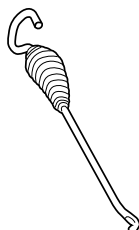
Ashtray



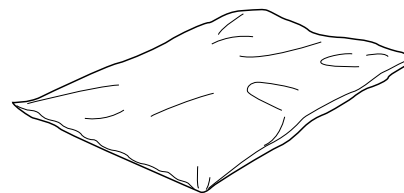
Ash rake



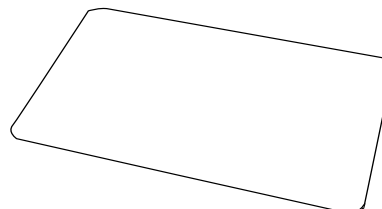
Hook



Cement



Baking sheet



How to use

Air control

The air control is placed on the lower left door no2 if your stove is equipt with external air supply the air control is on the topplate.

Fire up

We recommend you to use fire starters or equivalent that you find at your dealer. By using them, you get a quick lit up of your wood and cleaner combustion. Never use lighter fluid. Place some thin wood together with a couple of fire starters in the burning chamber behind door no1 then open the primary air control completely door no2., Keep the door a little open, after a while when burning well you can close the door

Continuous firing

Operate the fire with the air control The conditions for controlling combustion vary depending on the temperature in the burning chamber and the draught in the chimney. This you will understand more after using the stove a couple of times. A recommended amount of wood per hour is 1 to 2 kg.

Emptying the ashes

The ashtray accessed by opening the door no2.

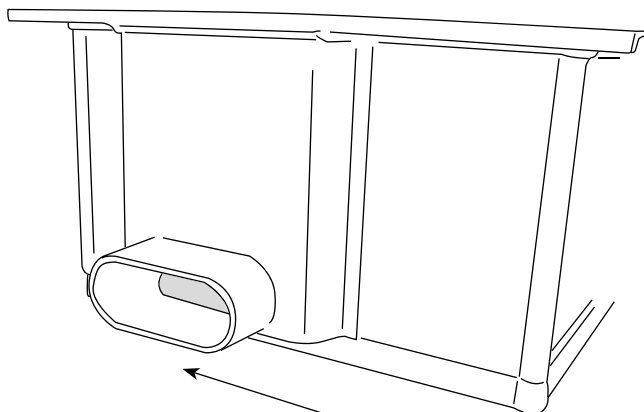
Empty the ash tray in a safe place. NOTE! The ash can contain embers several days after the fire.

Smell

At the first firing, a certain smell might occur. This depends on the coating. The smell disappears after a few fires.

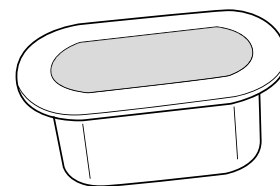
Good luck with your stove



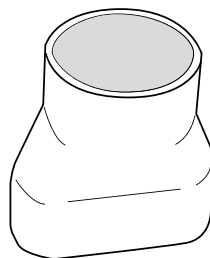


Connect rear

Please assemble the oval to round adapter and seal tightly. If you will connect to an existing brick chimney you can use the adapter below. Optional.



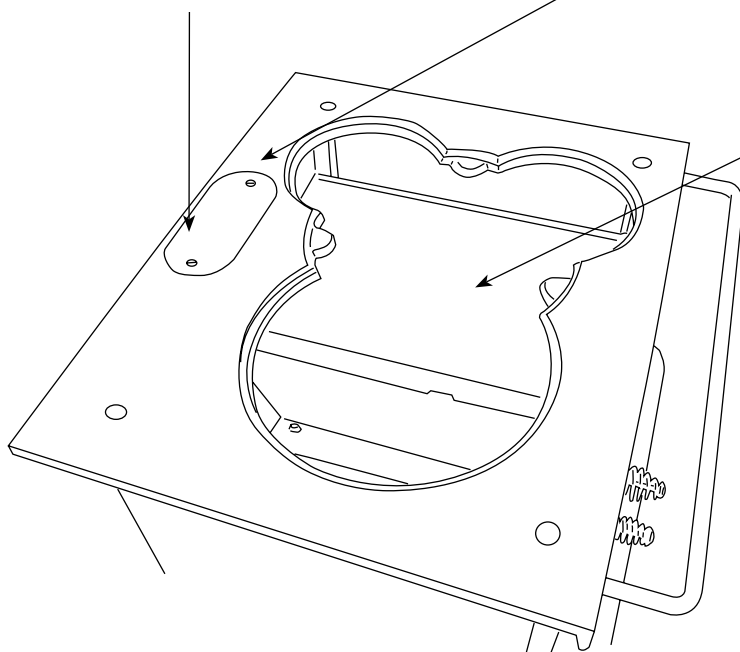
Adapter brick chimney



oval to round adapter

Connect upwards

Remove the top cover and use it to seal the rear smoke outlet. Be careful that the cover seals tightly. Use our oval to round adapter to connect upwards. please seal tightly. To connect to the chimney please follow the chimney supplier's instructions.

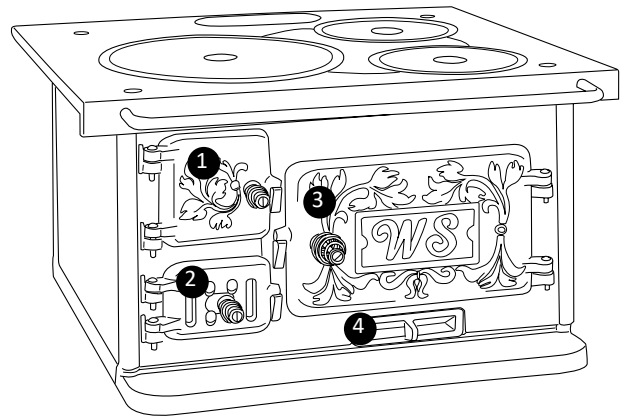
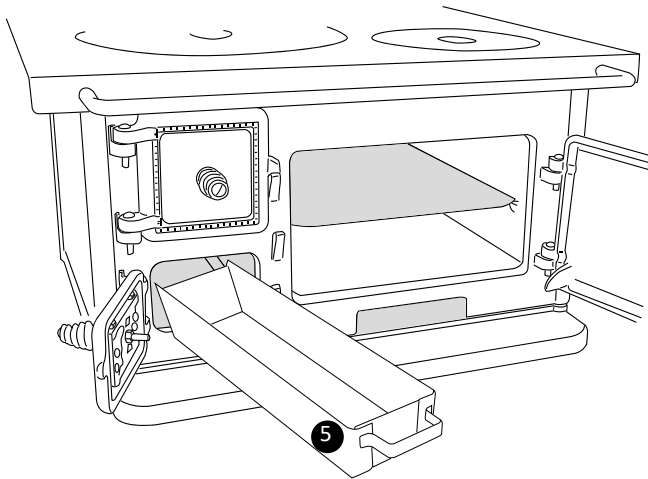


Fire cement

On the oven-roof you shall put the provided cement

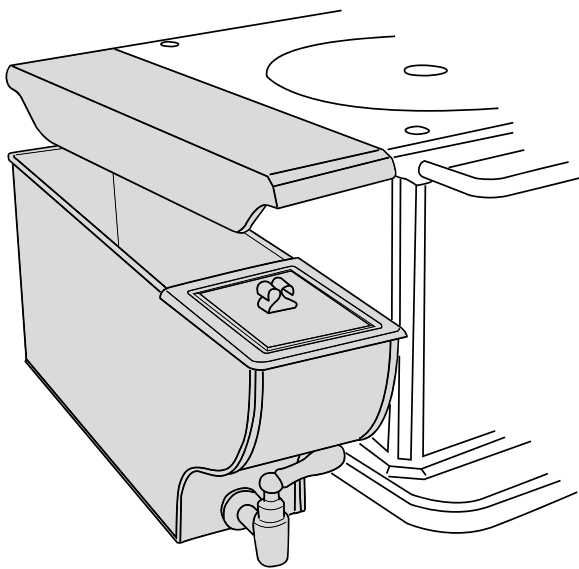
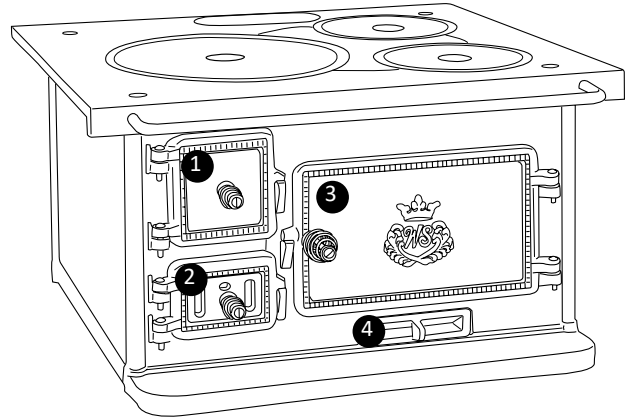
Do following:

1. Mix the cement with water to an creamy consistency. Not to loose
2. Take away all loose parts on top plate see picture on left
3. Place the cement on the oven-roof (not on the sides).
4. Let it dry a least 24 hours before fire up
5. Then start making 2 or 3 small fires just to warm up the stove and let it cool down. In this way you make the cement harder and it will last much longer time.



Function

1. Burning chamber, here you place the wood
2. Door 2 is equipped with the air control behind it you find the ash tray. Air control you open and close by push left and right
3. Baking oven
4. Soot cover here you clean the stove using the ash rake provided with the stove
5. Ashtray

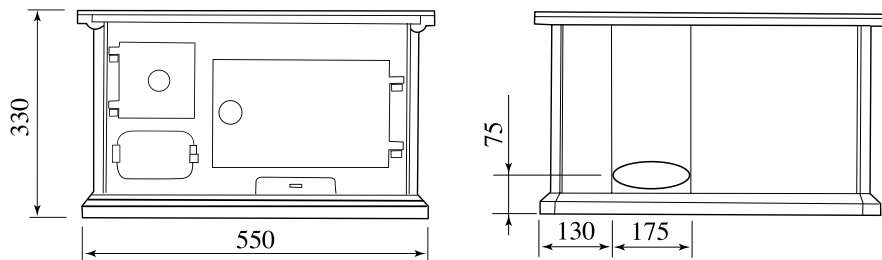


Top-plate extender/watertank

If watertank been ordered it's assembled like picture on left side. **Please be aware that the water in the tank is not suitable for drinking**

Technical data

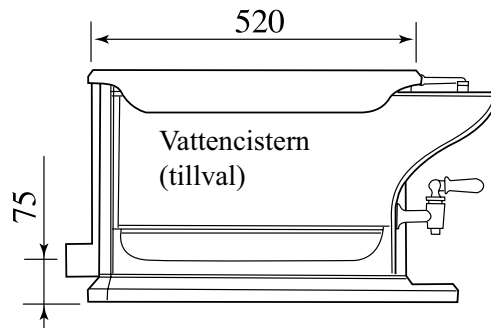
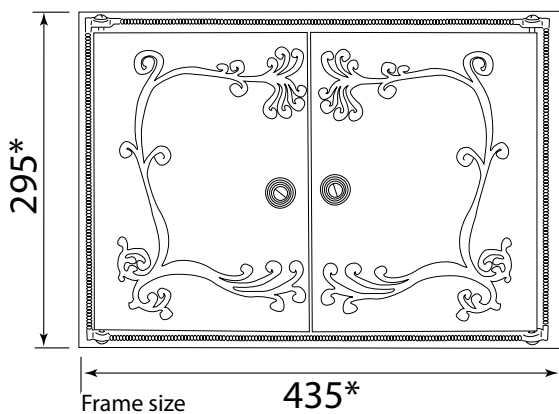
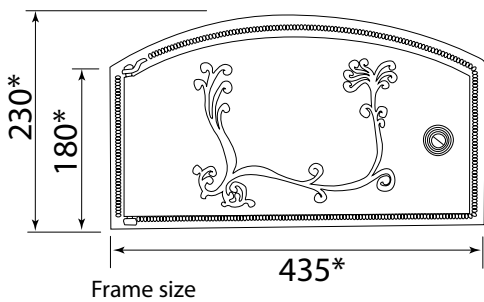
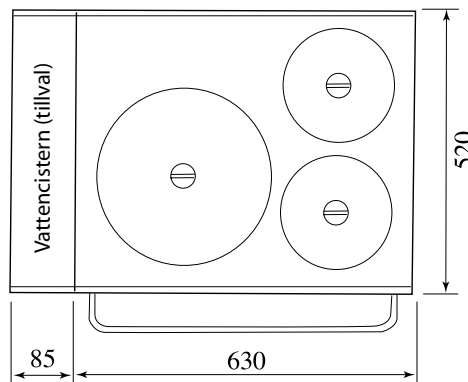
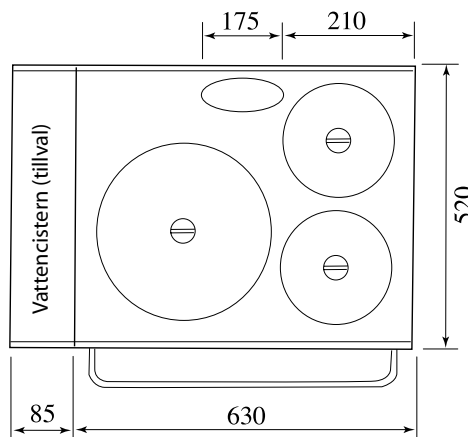
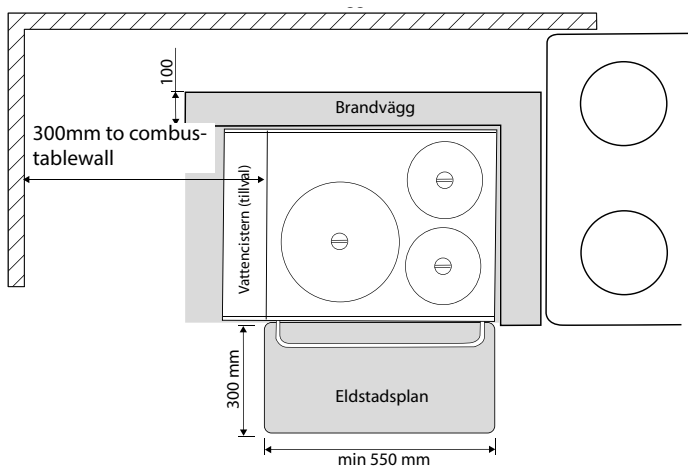
Weight: 140 kg
 Color: Svart
 Output: 5 kW
 Efficiency: 85 %
 CE: DIN EN 13384-1



Optional

Adapter for brick chimney
 Watertank, top plate extender

Combustable wall



Deviation in dimensions of +/- 3 mm may occur

CPR – Beilage III

Leistungserklärung gemäß Verordnung (EU) 305/2011

Declaration of performance according to Regulation (EU) 305/2011



Nr. - No. STANDARD/HVA26/HVA27 CPR150629

1. Eindeutiger Kenncode des Produkttyps/Unique identification code of the product type:

Westbo Ankarsrum/Bruzaholm

Raumheizer/Herd für feste Brennstoffe o. Warmwasserbereitung/roomheater fired by solid fuel without water heating supply EN 12815:2001/A1:2004/AC:2006/07

2. Verwendungszweck/Intended use:

Raumheizung in Gebäuden mit möglicher Heiz- u. Brauchwasserbereitung/Space heating in residential buildings with possible supply of hot water

3. Hersteller/Trade mark:

Westbo i Reftele AB, Industrigatan 8, 33021 Reftele, Sweden, Tel. +46 371 23330, www.westbo-of-sweden.com

4. Bevollmächtigter/Authorised:

Mattias Gunnarsson, mg@westbo-of-sweden.com, Box 5, 33021 Reftele, Sweden Tel. +46 371 23332

5. System(e) zur Bewertung und Überprüfung der Leistungsbeständigkeit des Bauproduktes/System(s) of assessment and verification of constancy of performance:

System 3

6. Das notifizierte Prüflabor hat nach System 3 die Erstprüfung durchgeführt.

The notified laboratory performed of the product type on the basis of type testing under system 3:

Benannte Stelle/Notified body: Nr/No: 1625 Rhein – Ruhr Feuerstätten Prüfstelle Oberhausen

Prüfberichtsnummer: Rapport nr: RRF - 1515 4039, Prüfdatum/ Date of testing: 29.06.2015

7. Erklärte Leistung/Declared performance:

Erklärte Leistung gilt für/declared performance presents for: Westbo Standard/HVA6/HVA27: EN 12815:2001/A1:2004/AC:2006/07

wesentliche Merkmale/essential characteristics	Leistung/performance
Brandsicherheit/Fire safety Brandverhalten/Reaction to fire	erfüllt - pass A1
Abstand zu brennbaren Materialien/Safety distance to combustible material	Mindestabstand/Minimum distance hinten /rear = 200 mm Seite /sides = 300 mm vorne /front = 600 mm Boden /floor = 0 mm
Brandgefahr durch Herausfallen von brennendem Brennstoff/Risk of burning fuel falling	erfüllt/pass
Reinigbarkeit/Cleanability	erfüllt/pass
Emission aus Verbrennungsprodukten/Emission of combustion products bei Scheitholz/log of wood	CO 0,11%
Oberflächentemperatur/Surface temperature Elektrische Sicherheit/Electrical safety	erfüllt/pass nicht zutreffend/not applicable
Freisetzung von gefährlichen Stoffen/Release of dangerous substance Maximaler Betriebsdruck/max operation pressure	keine Leistung festgestellt/NPD nicht zutreffend/not applicable
Abgastemperatur am Stutzen bei Nennwärmeleistung/Flue gas outlet temperature at nominal heat output Mechanische Festigkeit (zum Tragen eines Schornsteins)/Mechanical resistance (to carry a chimney flue) Wärmeleistung/Thermal output	239° Celsius (bei Scheitholz/log of wood) Keine Leistung festgestellt, ungetestet/NPD erfüllt/pass
Nennwärmeleistung/Nominal heating output Raumwärmeleistung/Room heating output Wasserwärmeleistung/Water heating output	5,2 kW 5,2 kW nicht zutreffend/not applicable
Wirkungsgrad/Efficiency Zusätzliche Information/Additional information: Staub/Particles	85 % 33 mg/Nm ³

8. Die Leistung des vorstehenden Produktes entspricht der erklärten Leistung nach Nummer 7.

The performance of the product is in conformity with the declared performance in point 7.

Verantwortlich für der Erstellung dieser Leistungserklärung ist allein der Hersteller gemäss Nummer.

The declaration of performance is issued under the sole responsibility of the manufacturer identified in point 3.

Die Ausführung der Leistungserklärung ist mit den technischen Komitees in der EU abgestimmt.

The design of this declaration of performance is in accordance with the technical committees.

Unterzeichnet im Namen des Herstellers / Signed on behalf of the manufacturer:

Mattias Gunnarsson
Geschäftsleitung/CEO
Westbo i Reftele AB
Reftele 2017-07-01

