

M a n u a l & I n s t r u c t i o n s

Westbo Classic



westbo of sweden

CPR

Declaration of performance according to Regulation (EU) 305/2011

CLASSIC CPR130603



1. Type: CLASSIC 130603

2. Use of the construction product:

Room heater burning solid fuel

3. Manufacturer:

Westbo i Reftele AB, Industrigatan 8, 33021 Reftele, Sweden, Tel. 0046-371-23330

4. Authorised:

Mattias Gunnarsson, mg@westbo-of-sweden.com, Box 5, 33021 Reftele. +46 371 23332

5. Systems of assessment and verification of constancy of performance:

System 3

6a. Harmonized technical specification:

SS-EN 13240: 2001, SS-EN 13240/A2: 2004/AC: 2006

Notified body:

1625 Rhein – Ruhr Feuerstätten Prüfstelle Oberhausen. Rapport nr: RRF - 40 10 2377

7. Declared performance:

Declared performance presents for: Westbo Classic 2060/1960

Essential characteristics	Performance
Fire safety	
Flue gas temperature	281 °C
Emission of combustion products	
CO	with 13% O ₂ : 0,09%
Risk of burning fuel falling	pass
Temperature	
Minimum distance to combustibile material back	15 cm
Minimum distance to combustibile material side	30 cm
Temperature handle	Pass with gloves
Mechanische Festigkeit/mechanical resistance	NPD
Wärmeleistung/thermal output	7 kW
Wirkungsgrad/efficiency	81,0 %
<i>Additional information</i>	
<i>Allowed combustion material</i>	<i>Scheitholz/wood logs</i>
<i>Emission of combustion products 13%O₂</i>	<i>CO : 1125 mg/m³</i> <i>PM / Staub : 31 mg/m³</i> <i>NOx: 86 mg/m³</i> <i>OGC: 76 mg/m³</i>
<i>Flow of exhaust gas mass</i>	<i>5,92 g/s</i>

Signed on behalf of the manufacturer:

Mattias Gunnarsson
CEO, Westbo i Reftele
Reftele 2014-10-01



Installation by authorised

This manual contains instructions about how the stoves must be assembled and installed. To ensure the function and safety of the stove, we recommend that the installation is carried out by an authorised technician. Please contact your dealer who can recommend suitable technicians.

Building application

Please ask your local dealer or authority or for advice regarding building regulations. Before installing a stove or chimney it is necessary for you to make a building application permission to your local authority.

Structural support

If you have wood joists please check so they are strong enough to bear the weight of the stove and chimney.

Hearth plate

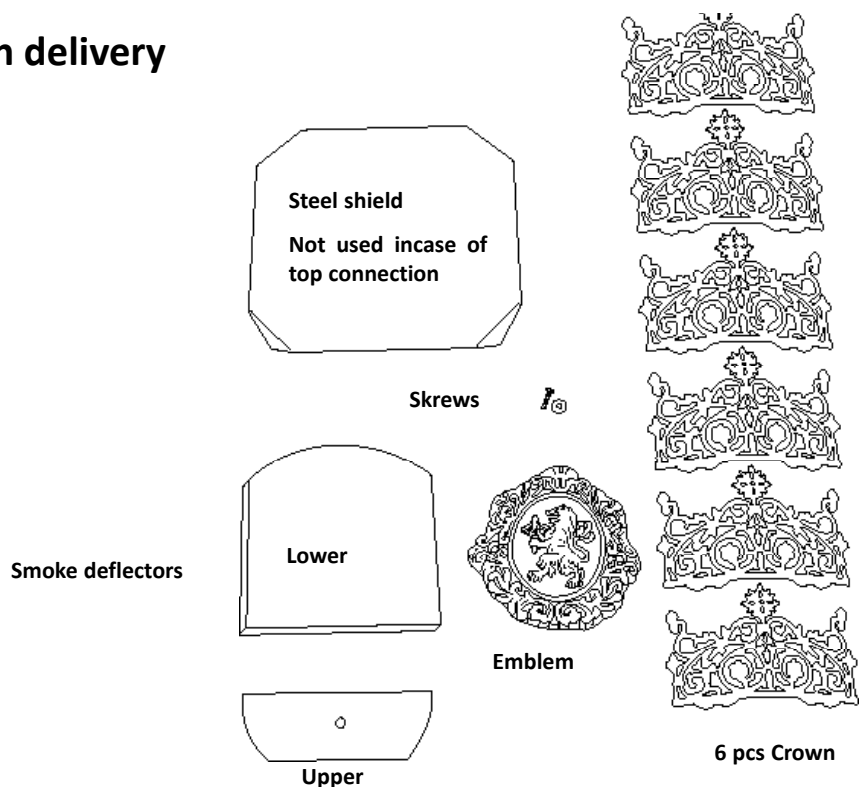
Due to the risk of falling embers, a flammable floor must be protected by a hearth plate. Please check with your local dealer about local rules

Into place

Please make sure you follow the distances to combustion wall when you place the stove

You find them in page 9

Included in delivery



Preparation

If you are installing your stove top, first measure the center of chimney and prepares cutout in the ceiling. Be careful to follow the chimney supplier's instructions.

Should you connect rear, follow the instructions bellow.

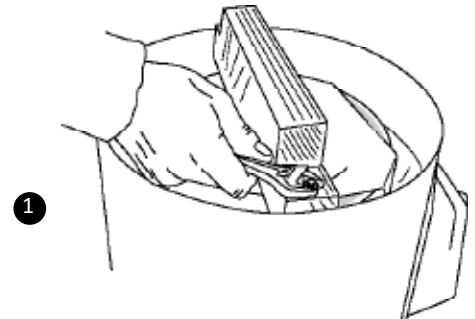
1. Measure out the center of the hole 1735mm
2. Use suitable tools to make the hole aprox 5,5-6 inch to fit the spigot (flue pipe is 5 inch)
3. We recommend that you use a flue spigot
4. insert the flue pipe into the spigot then connet with the stove seal between the spigot and flue pipe(preferly seal rop) The pipe should not go into the actual chimney, cut if necessary. Apply additional sealant for other joints.
5. **Important!** If your connection kit includes a rosette collar to cover the hole in to the chimney put it on before connecting the stove.
6. Contact chimney sweep for an inspection.



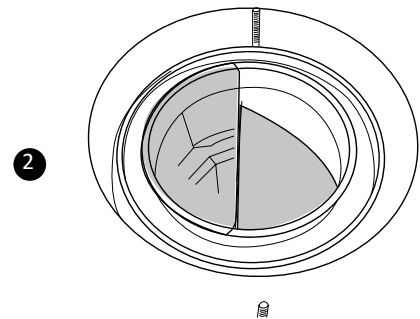
Assembling

1. First unpack the stove and make sure everything is delivered and that nothing is missing or damaged. In case of damage please report to the carrier immediately

2. Remove the bottompart of the stove (main body) from the pallet and place it in place. Then remove the transportation lock. Pic 1



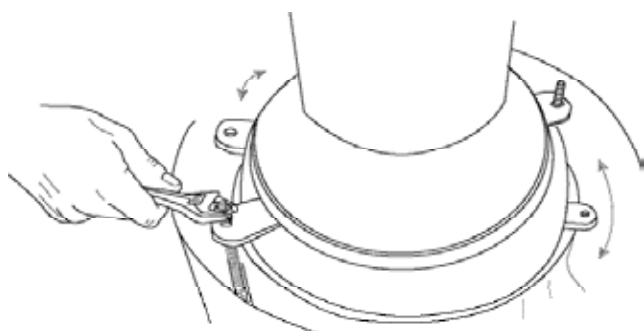
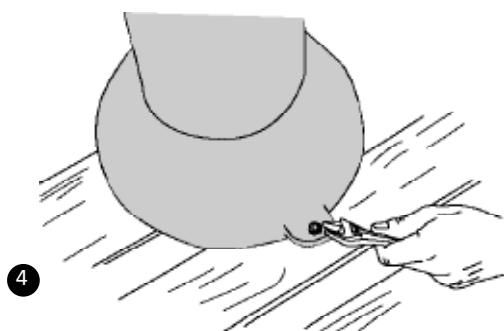
3. Place the upper smoke deflector in steel on top of the mainbody . Pic 2



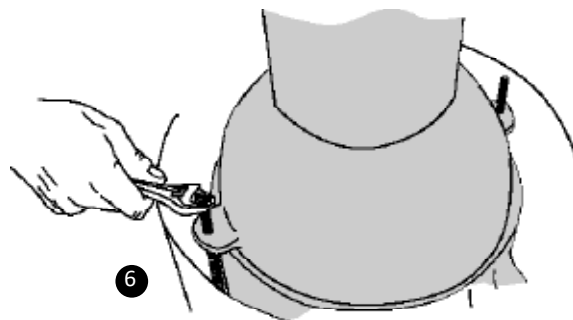
4. Remove the upper part of the stove from the pallet. Pic 3
Save the bolts and braces for later.



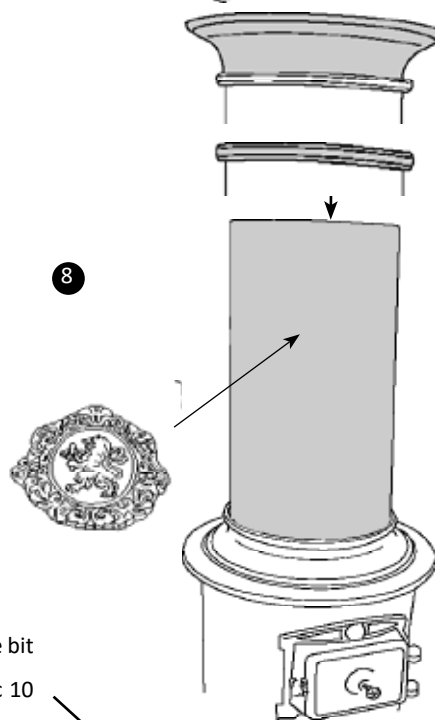
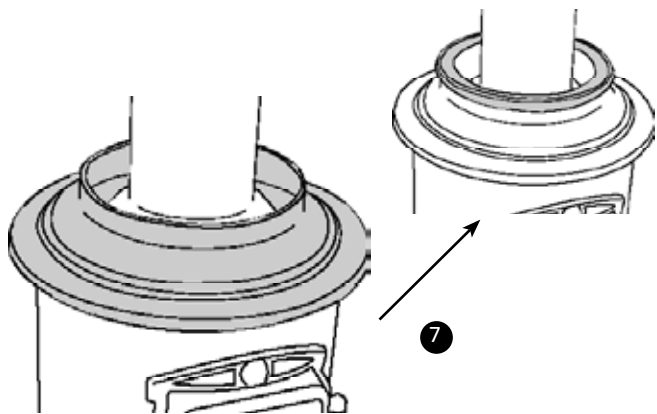
5. Unscrew the smoke pipe from the pallet. Pic 4 Place it on the mainbody against the sealing rope. If you ordered the stove with adjustable ring this is the step to assemble that. Pic 5



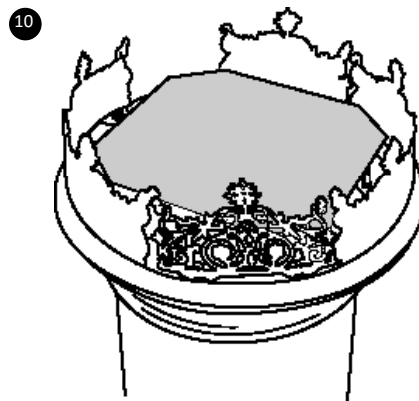
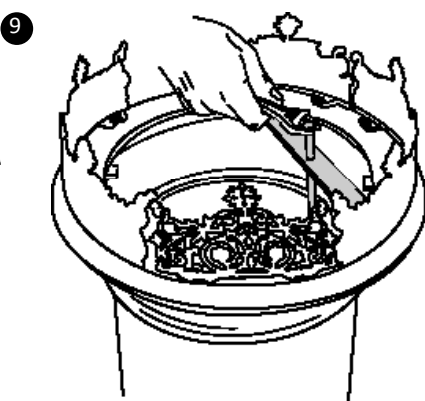
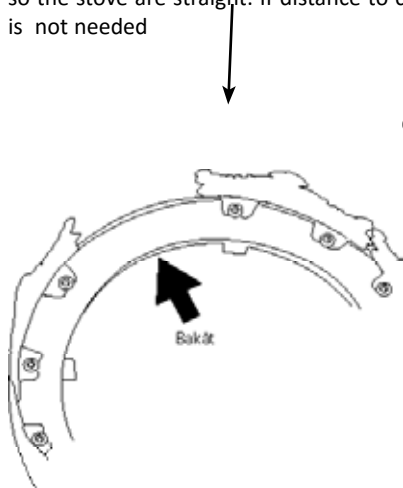
The threaded rods should go through the 2 holes on the smok pipe. Pic 6



6. Now you assemble the cast iron rings and steel tube as shown in Pic 7 and 8.



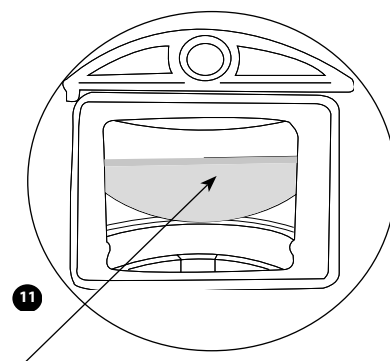
7. Assemble the crown 6pcs (if it is to be used) then place the ring on top of the stove. As showed in Pic 9 and fasten it. In this step its also possible to adjust the outer body a little bit so the stove are straight. If distance to ceiling is more that 500mm the steel shield in Pic 10 is not needed



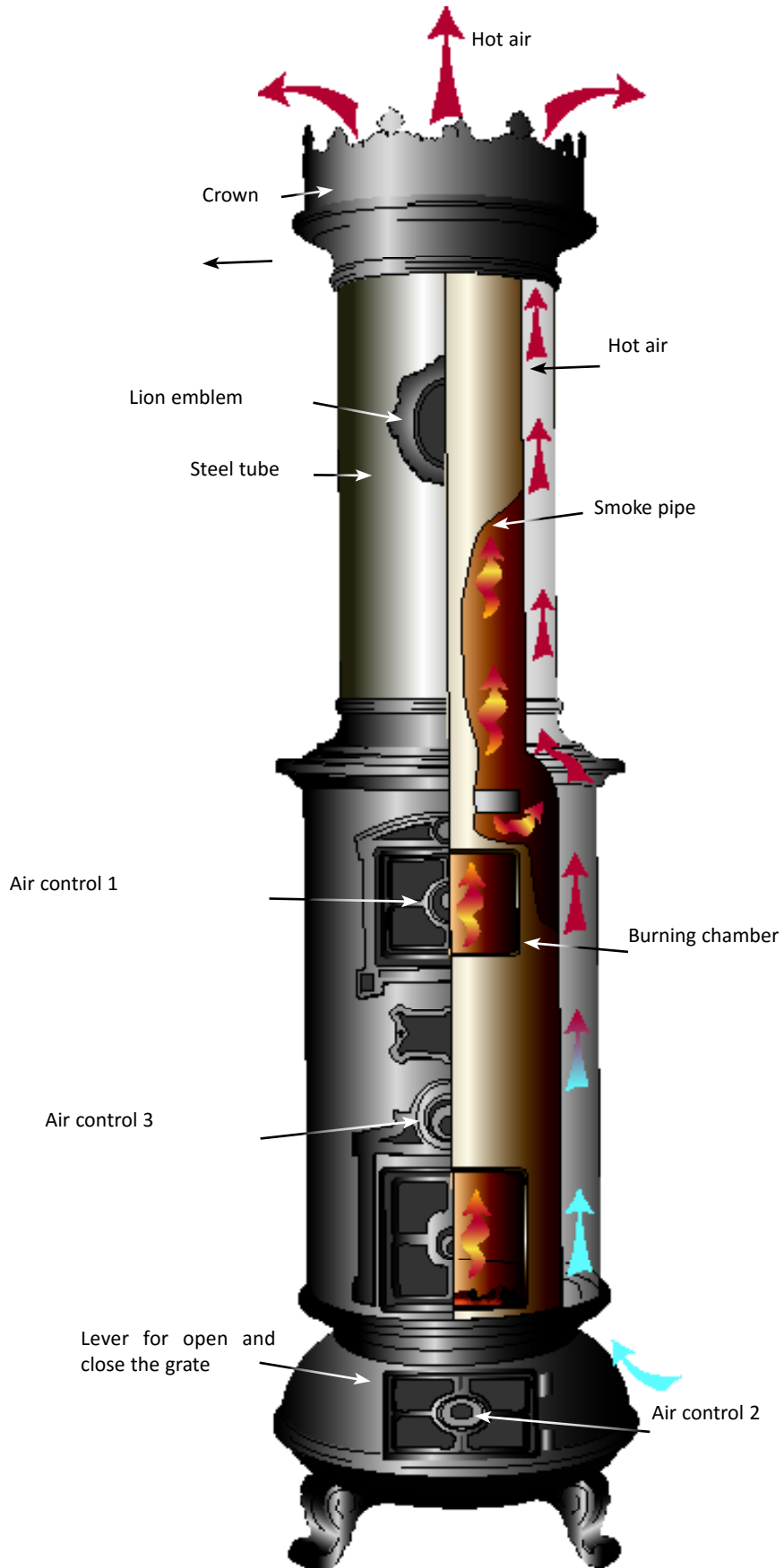
8. Place the lower smoke deflector on the cast iron rib as in Pic 11 if taken away during unpacking

9. If the Lion emblem Pic 8 is to used assemble it by drilling 2x3,5mm holes.

10. Finally connect the stove to the chimney



Overview



Starting to use

Air supply

Westbo Classic is equipped with 3 air controls see page 7.

Fire up

We recommend you to use fire starters or equivalent that you find at your dealer.

By using them, you get a quick lit up of your wood and cleaner combustion.

Never use lighter fluid.

Place some thin wood together with a couple of fire starters in the burning chamber

open the primary air control (2) on the lower door or in some cases you may have to keep the lower door open to get the fire going. Be aware to also have the grate open at this stage (lever on the left).

Keep air control 1 closed and control 3 open (3-4mm)

Now lit up

After a while when burning well you can close the air supply from underneath by closing the lower door, air control 2 and the grate.

From now on you don't need any air supply from underneath the fire to reach the best possible efficiency and performance of the stove.

Continuous firing

Operate the fire with air control 3 and 1

You will mainly control your rate of combustion with air control 3. The conditions for controlling combustion vary depending on the temperature in the burning chamber and the draught in the chimney. This you will understand more after using the stove a couple of times.

When the stove is getting hot you may open the air control 1 just a little 1-2mm to have the best possible efficiency and clean burning.

A recommended amount of wood per hour is 1.5 to 3 kg.

Smell

At the first firing, a certain smell might occur. This depends on the coating.

The smell disappears after a few fires.

Emptying the ashes

The ashtray accessed by opening the lower door

You can shake down the ash from the burning chamber by using the grate lever on the left (this open and closes the grate)

Empty the ash tray in a safe place. NOTE! The ash can contain embers several days after the fire.

Cleaning glass

There are special glass cleaners from available at your dealer.

Do not use abrasive cleaners.

Chimney fire

In case of chimney fire, all doors and air controls shall be closed

If necessary contact the authorities.

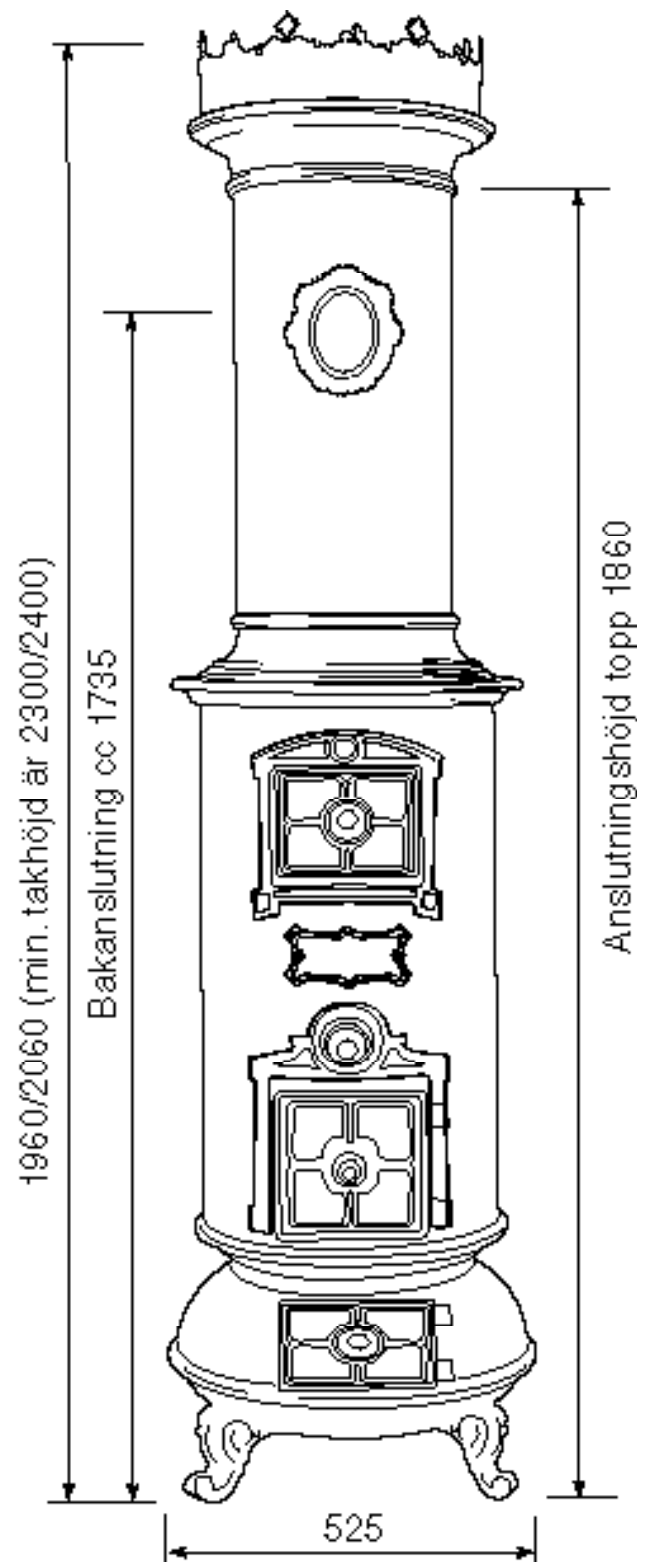
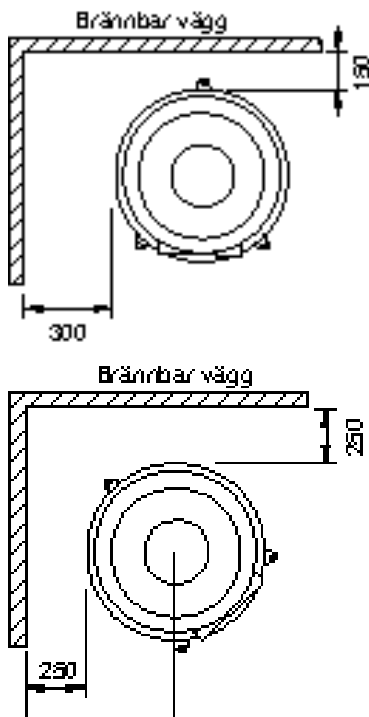
Good luck with your Westbo Classic



Technical data and measures

Weight:	230 kg
Output:	7,0 kW
Efficiency :	81%
Connection size:	Ø 5inch
CE aproved:	EN 13240

Distance to combustibile wall





westbo of sweden

Warranty

Westbo of Sweden has a 10 year stove casting warranty and a 1 year warranty concerning natural wear and tear of articles of consumption such as firebricks, vermiculite, grates, glass, handles and rope seal.

The warranty is only valid if the stove has been used in a proper way according to the instructions and will not be valid if any extreme or careless handling has occurred like overheating, wrong fuel or too much wood etc.

Westbo of Sweden is obligated to provide new parts/stove if any defects covered by the warranty occurred, but takes no responsibility for removal or installation costs for the exchange.

The warranty covers only the product and the buyer is not entitled to compensation for any personal or property damage.

Yours sincerely

Mattias Gunnarsson
Managing director