
MANUAL AND INSTRUCTION

WESTBO ANKARSRUM



Westbo of Sweden

Thank you very much

for chosen a stove from the company Westbo from Sweden. Please read the assembly and operating instructions carefully.

Please note that the installation and connection of your new cooker may only be carried out by a specialist company in order to ensure safety and functionality.

In addition, any country-specific regulations, such as model building regulations, special combustion regulations, must be observed. Your specialist company or chimney sweeper can provide information on this.

Installation instructions

Prepare the installation site for the stove so that there is enough space for assembling.

Fire protection

Distance to combustible components and furniture - pay attention to the distances to the wall. A minimum distance of 20 cm to the rear must be maintained to the combustible wall, and a minimum distance of 30 cm to the sides must be maintained in order to provide sufficient thermal protection.

Fire protection in the radiation area

In the radiation area of the combustion door, a distance of 60 cm must be observed. This distance can be reduced to 40 cm if a bidirectionally ventilated blast shield is placed between the fireplace and the combustible components.

Fire protection outside the radiation range

The minimum distances to combustible components and furniture are indicated on the device plate and must not be undercut.

Floors

Floors made of combustible building materials shall be protected from the furnaces of solid fuel fireplaces by a covering of non-combustible building materials. The covering must extend to the front to at least 50 cm and to the sides to at least 30 cm beyond the fire opening.

A flying spark plate must be placed underneath before installation.

Please note that when choosing the sheet metal, the distance to the fire door is at least 30 cm to the side and at least 50 cm to the front.

Before setting it up, check whether the load-bearing capacity of the substructure can withstand the weight of your Westbo kitchen stove (e.g. plate for load distribution) to reach it.)

The Ankarsrum weighs 130 kg and can be placed on the floor without any additional reinforcements.



Preparations

Unpack the stove carefully and check that the delivery is complete and that the oven appears to be intact.

In the event of damage in transit, please report it to the freight forwarder or your dealer.

Connection

The Ankarsrum kitchen stove can be connected upwards or connected to the rear. If a chimney breakthrough is necessary, be sure to seek professional help. There is a risk that the chimney could be damaged if installed improperly.

National and European standards, local and building regulations, as well as building regulations must be complied with. Therefore, inform your district chimney sweeper in advance. It must be ensured that the amount of air required for combustion is sufficient. This is particularly important for tightly closing windows and doors (sealing lip).

The chimney calculation is carried out in accordance with DIN EN 13384-1 or DIN EN 13384-2 with the value triple added to this manual.

The Ankarsrum kitchen stove is pre-assembled ready for connection and must be connected to the existing house chimney with a connector after installation.

The connector should be as short, straight, horizontal or slightly ascending as possible. Connections must be sealed.



Info: Stove walled in

1. Install a fire protection unit of at least 30 cm on the left and right.

Then the stove can be integrated

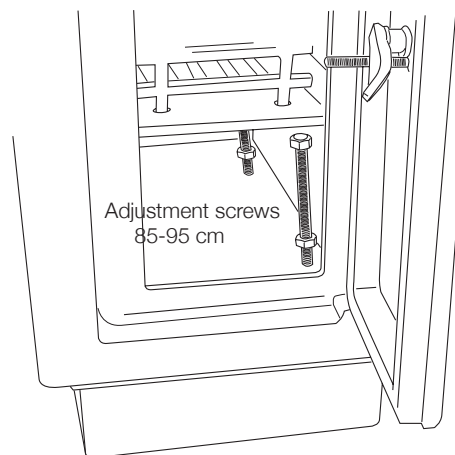
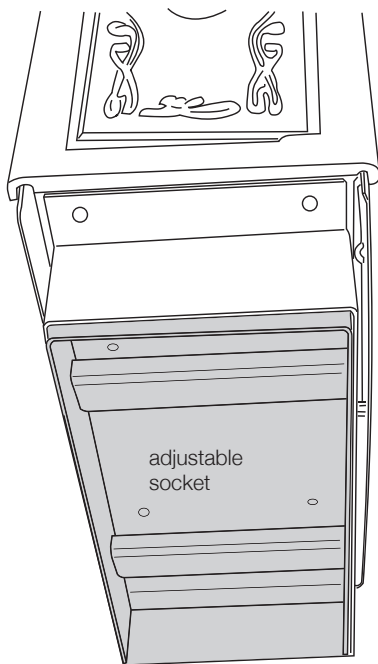
2. By means of the compensating screws in the base Adjust the stove.

3. The stove gets its final stability by connecting it to the chimney or flue.

Read the assembly instructions on the following pages.

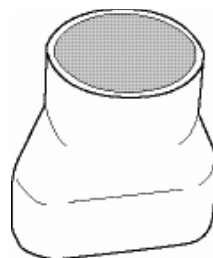


Westbo of Sweden

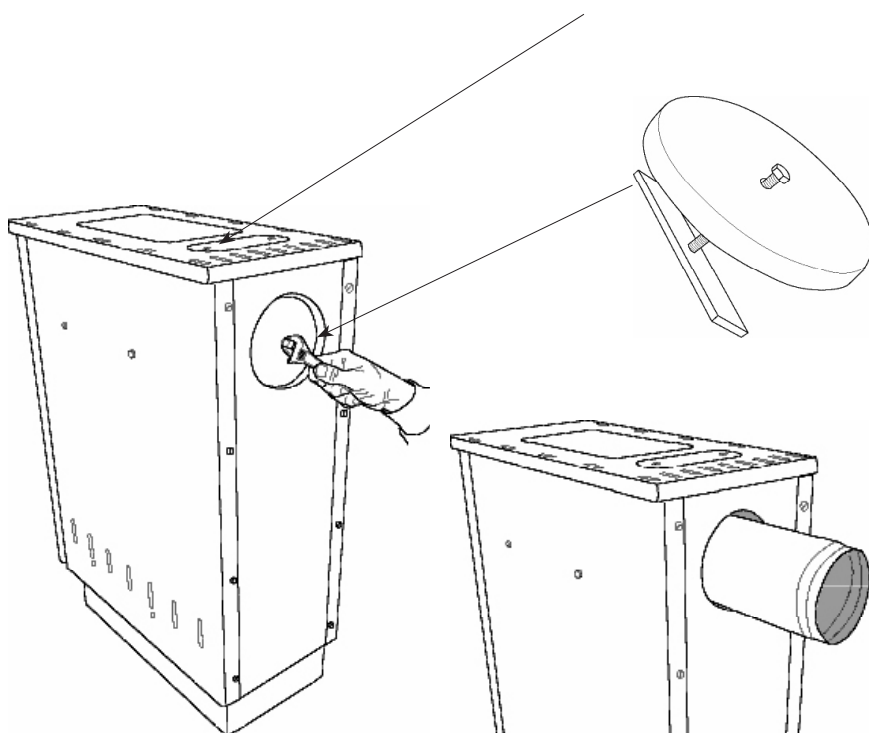


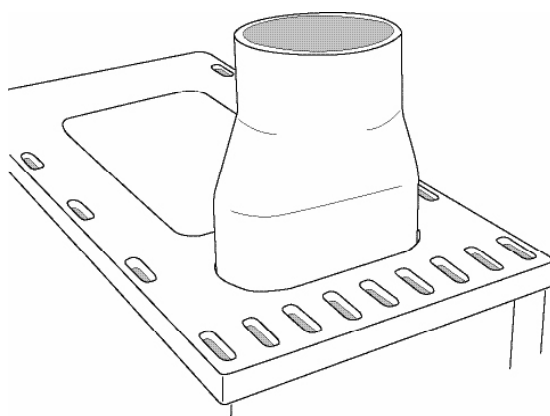
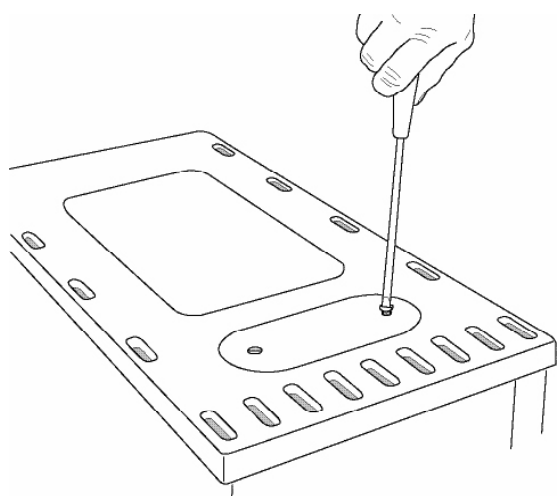
Connection to the top

Loosen the oval closure at the top and use it to close the outlet at the back. Seal well. Use the adapter (from oval to round) to connect the stove to the top. Please seal carefully between the stove, adapter and chimney, e.g. with a stove kit (not included).



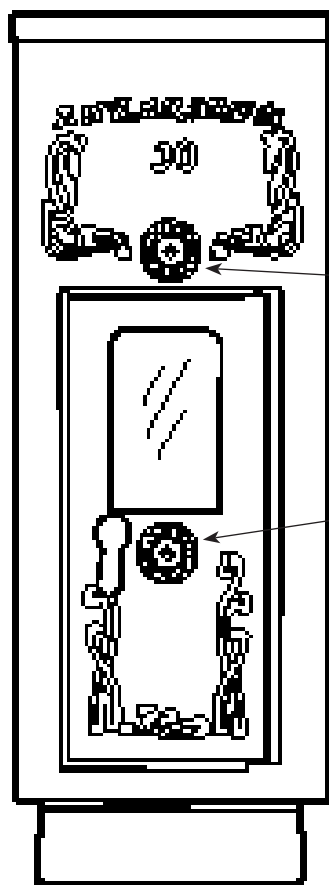
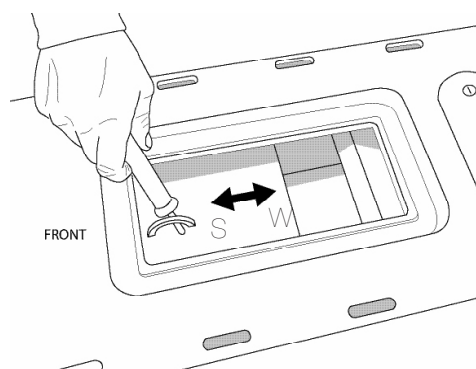
Adapter from oval to round (120 mm)





Winter - Summer Presets

The position of the smoke deflection plate can be changed, see picture. In the winter setting (W), the flue gas path is longer and the stove emits more heat into the room. To change the setting, you need to remove the stovetop.



Secondary air regulator

Primary air regulator

Supply air regulator

You use the regulator for the primary air when you want to light the fire, the better the stove burns, the more you wear it. So that the stove can burn as efficiently as possible.

The secondary air regulator influences the heat dissipation and is responsible for windshield flushing.



Safety instructions

The Ankarsrum stove is tested according to the DIN standard DIN 12815.

Since the stove is dependent on room air, i.e. the combustion air is consumed from the installation room, make sure that a sufficient air supply is guaranteed.

Observe the distances to flammable objects. Do not leave paper or newspaper nearby. Make sure that the stove heats up a lot when in use. Make sure that the stove heats up a lot when in use. The stove can be warm! Attention: Risk of burns!

The burning of fuel releases thermal energy, which leads to strong heating of the surfaces, the firebox doors, the door and control handles, the flue pipes and, if necessary, the front wall of the stove. Do not touch these parts without appropriate protective clothing or aids (heat-resistant gloves or other means of operation).

Make children aware of these dangers and keep them away from the fireplace during heating. Please do not leave your children unattended near the stove.

Pay particular attention to the parts of the stove made of cast iron. Structural modifications of the stove in the combustion chamber are not permitted! As a result, the stove loses its approval.

Operation of several fireplaces

The Ankarsrum stove corresponds to the conventional design 1 (multiple occupancy). Thus, several devices can be connected to one chimney. When operating several fireplaces in one installation room or in an air network, sufficient combustion air supply must be ensured.

In the case of space heaters with self-closing firebox doors, it is possible to connect to a chimney that is already occupied by other stoves and stoves, provided that the chimney design according to EN 12831 does not contradict this.

The stove must only be operated with the combustion chamber door closed – except for lighting, refilling fuel and ash removal – otherwise other fireplaces also connected to the chimney may be endangered and heating gases may escape.

Space heaters without self-closing window doors must be connected to their own chimney. Operation with an open firebox is only permitted under supervision. DIN 13384-1 or DIN 13394-2 must be used for the chimney calculation. The hearth Ankarsrum is a time-firing fireplace.

Fuels

Only air-dried logs may be used.

The incineration of waste, and in particular plastic, is prohibited by the Federal Immission Control Act. In addition, this damages the fireplace and chimney and can lead to damage to health and, due to the odour nuisance, to neighbourhood complaints.

Do not use accelerants or liquid fuels! Never burn waste! Please only use sufficiently dried wood for heating. Air-dry logs with a maximum of 20% water are achieved by a minimum of one year (softwood) or two years (hardwood). Do not burn treated wood or varnished wood! Avoid unnecessary emissions. Wood is not a fuel for continuous fire, so it is not possible to heat the fireplace with wood overnight.

If you use wood that is not sufficiently dried, the normal performance of your stove will not be achieved due to the lower heating capacity of damp wood. This also applies to frozen wood.

Damage to the stove or chimney can also occur, e.g. due to soot or soot.



Note in case of chimney fire

In the event of a chimney fire, close all air intakes on the stove and inform the fire brigade. After the chimney has burned out, have it checked by a specialist for cracks or leaks.

Firewood

Adjust the length of the log to the combustion chamber. For firing, we recommend smaller logs, which can then be placed in the firebox, max. log length approx. 38 cm.

However, when refilling, make sure that the inner lining of the cooker is not damaged.

We recommend a log length of 35 cm and a maximum of 3 kg of wood.

Be careful not to overload your stove unnecessarily. If necessary, slowly increase the amount of wood applied during the heating process in order to achieve a pleasant heat development.

Combustion air

In the case of sealed windows and doors (e.g. in conjunction with energy-saving measures), the supply of fresh air may no longer be guaranteed, which can impair the draught behaviour of the space heater. This can affect your well-being and, in some cases, your safety.

If necessary, an additional supply of fresh air must be provided, e.g. by installing an air damper near the space heater or laying a combustion air duct outside or in a well-ventilated room (except boiler room).

In particular, it must be ensured that the necessary combustion air lines are open during the operation of the fireplace.

Extractor hoods that are installed together with fireplaces in the same room or room air network can negatively affect the function of the stove (up to and including smoke leakage into the living room, despite the fire door being closed) and must therefore never be operated at the same time as the stove.

Heating in adverse weather conditions

In the transitional period, i.e. at higher outside temperatures, a sudden increase in temperature can cause disturbances in the chimney draught, so that the heating gases are not completely extracted. The fireplace is then equipped with lower fuel quantities and, if the primary air regulator is larger, operated in such a way that the existing fuel burns off faster (with flame development) and thus stabilizes the chimney draught. To avoid resistance in the ember bed, the ashes should be carefully stoked away more often.

In the event of unfavourable weather conditions, the combustion behaviour may be impaired by faults in the chimney draught, e.g. in fog, low pressure or storms.

If there is insufficient draught, it may be necessary to refrain from operating your stove.

Nominal heat output, combustion air settings and burn-up times

The nominal heat output of the stove is 8.0 kW. It is achieved at a minimum delivery pressure of 12 Pa. To do this, no more than 2 to 3 logs should be placed at a time.

Boost

It is important to go through the heating phase quickly, as higher emission values can occur in the event of operator errors. As soon as the lighter material is well burned, more fuel is added. In the heating phase, you feed enough primary air to the stove. Subsequently, the primary air is gradually closed and thus the combustion is regulated.



Do not leave the stove unattended during this burning phase. For the first operation, please insert a maximum of two small logs and use fixed fireplace lighters if necessary. During commissioning, odours may form, as the paint must first dry out. Ventilate if necessary! After about 120 minutes, the paint has dried out.

Operation and heating

Make sure that the stove's firebox is cleaned. Basically, the stove is equipped with an air regulating flap. These influence the lighting and burning of firewood.

Fire up

1. To fire, open the air control flap.
2. Place the dry wood in the firebox. Loosen the wood so that enough air gets to the flame. Do not leave the oven unattended during the burning phase.
3. Light the firewood. Use fireplace matches to light it. Never use alcohol or gasoline for fueling.

During heating

If the fire burns well, you can add to it and slowly close the primary air damper.

Make sure that the doors of the stove are closed during use and only used for feeding and operation. After ground embers have formed, you can add and regulate them according to your needs. Open air control flaps promote faster burning. If the flap is closed, the burn is reduced.

We recommend an amount of wood of approx. 1.5-2.5 kg per hour. Heat the oven well so that the cast iron heats up and can retain the heat. Make sure that there are no flammable objects near the stove. During the refilling process and the stove door is open, flying sparks may occur.

After heating

After burning, the stove still emits heat. Close all air control flaps if you want the oven to go out. When the stove has cooled, carefully clean the firebox. Then empty the ash pan. Be careful, the ashes may still be hot.

Care and Maintenance

After at least one heating season, check that all seals are properly sealed. Check the setting of the doors. These can be easily readjusted. Also clean the interior and check that the inner lining of the combustion chamber is not damaged. If you want to check the exhaust gas paths of the stove, your specialist dealer or chimney sweep can help you. We recommend having the chimney cleaned annually by the chimney sweeper. Your Master chimney sweeper will provide information about the necessary intervals. The stove should be checked annually by a professional. If you need spare parts for the stove, please contact your specialist dealer.



Warranty

We offer you a 15-year warranty. Included are defects in the material and workmanship of the cast iron.

The warranty period begins on the date of purchase. Please keep the purchase receipt. Any warranty claims will only be processed if a corresponding invoice from a specialist dealer can be presented. The warranty requires professional assembly, installation and use.

For spare parts, there is a security of supply for 10 years.

Complaints caused by inappropriate use, incorrect handling, defective installation by the or third parties, and violence are excluded from the warranty.

The warranty does not apply to:

Complaints caused by inappropriate use, incorrect handling, defective installation by the buyer or third parties, and violence are excluded from the warranty.

Scratches and chafing, spalling caused by transport cannot be complained about.

The same applies to malfunctions that are caused by local conditions (such as a lack of chimney draught due to strong winds).

The warranty claim also expires in the event of damage caused by the installation of inadmissible accessories or by the use of unsuitable fuels.

If you have any complaints, please contact your specialist dealer.

All complaints must be reported in writing immediately after detection and before installation/commissioning.

If the stove is installed and used despite recognizable defects, any warranty is void.

The warranty expires after 10 years (from the date of purchase), even if parts have been replaced.

Replacement of parts will not extend the warranty.

Transport, dismantling and installation costs in the context of a warranty claim will not be reimbursed.

In the event of any complaints, the manufacturer may request that parts or all of the product be returned to the specialist retailer for inspection by the manufacturer or by an independent specialist.

During the warranty period, your specialist dealer is responsible for all warranty services.

Any goodwill requests can be made through your specialist dealer. No legal claim arises from goodwill granted.

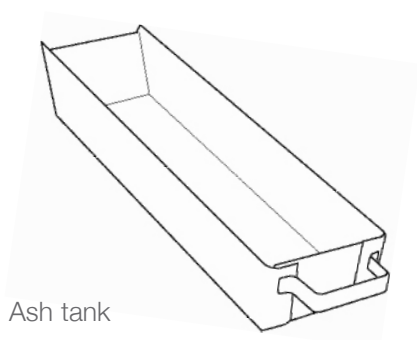
We thank you for your trust and wish you pleasant hours at your new stove.

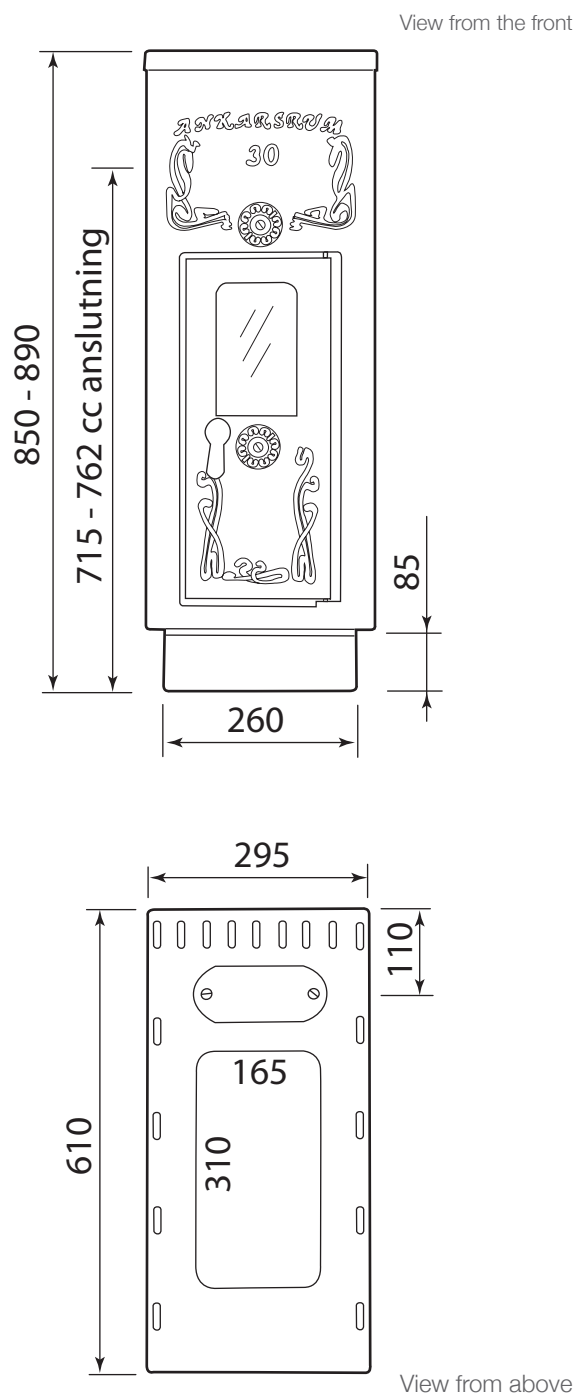
Westbo of Sweden, Reftele



Disturbance	Through?	Solution:
Oven smells	First start-up, furnace paint dries out	Air
Fire does not burn	Deduction bad	Open air damper
Smoke	Bad weather conditions	Burn the newspaper and thus preheat the chimney
Fire pane sooty	Insufficient wood quality	Dry wood, cleaning

The scope is included in the delivery





You can find more information about lighting and heating with the Westbo Standard/Ornament on the pages

Specifications

DIN/EN-12815 approved 15a B-VG
DINplus/2. BImSchV fulfilled

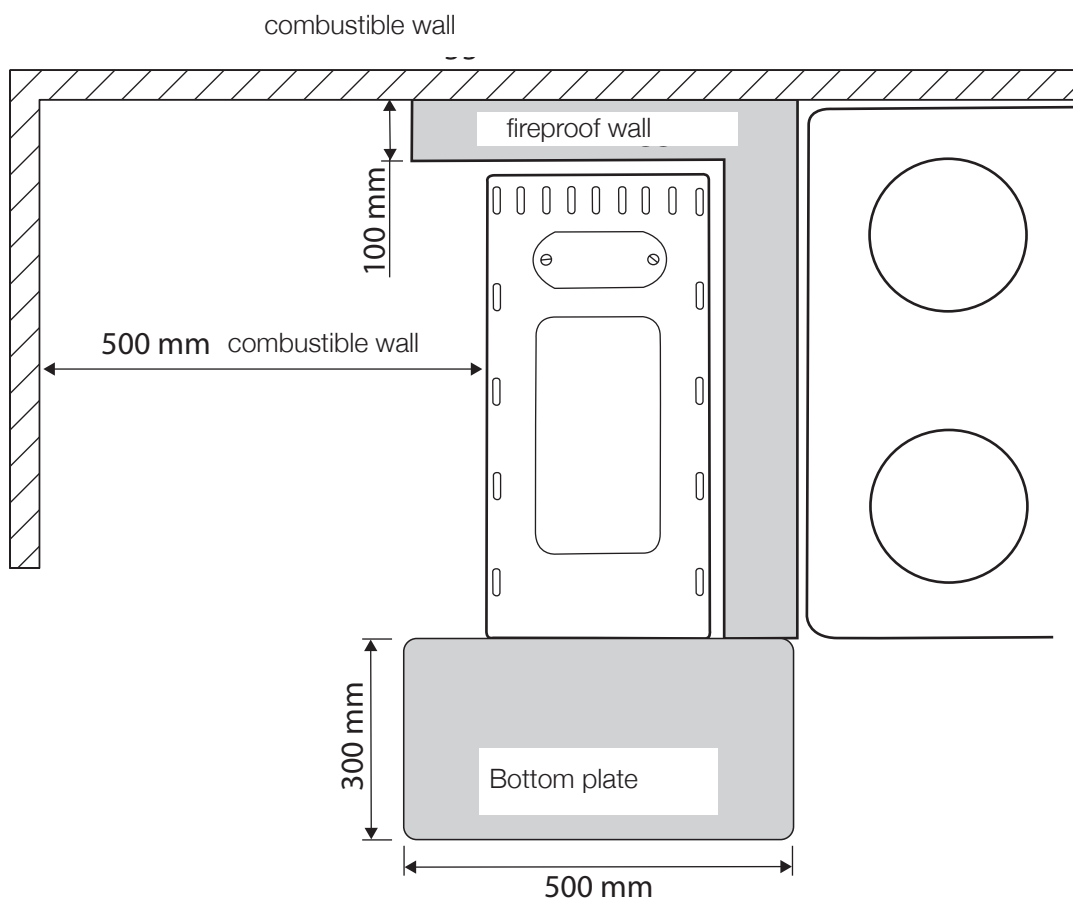
Nominal Heat	8,0 kW
Efficiency	75,2 %
Particle	35 mg/m ³
Weight	130 kg
Connection	behind 130 mm
Optional accessory	Adapter for connection to the top, 120/130 mm
Firewood length	35 cm
Firing	Holz
Average exhaust gastemp	286 °C
Exhaust gas mass flow	8,8 g/s
Medium delivery pressure	12 pa
Scope of delivery	Ash pan, hot plate lifter, gloves

Color black-metallic lacquered

Multiple occupancy of the chimney permitted
Dependent on room air
Fire pit can only be operated closed

Deviations in the range of +/-5 mm are possible due to the material





Westbo of Sweden AB