
MANUAL AND INSTRUCTION

WESTBO Classic ethanol



Please note and observe all warnings and safety notes. Always use original replacement parts. Ignoring these operating guidelines will void any liability and warranty entitlements.

**WARNING!**

This icon indicates a potentially dangerous situation. Ignoring this warning may result in serious injury or even death.

**CAUTION!**

This icon signals a possible hazardous condition. Failure to heed this caution could lead to property damage or personal injury.

**NOTE!**

Offers additional advice on operating the stove and provides helpful information.

**NOTE!****Please read before using the stove for the first time**

These safety and operating instructions are part of this Carl 120 bioethanol stove. Please keep in a safe place for future reference.

Any fireplace featuring naked flames or using flammable liquids has a potential risk of burns or injury. The fireplace becomes hot in use, especially the external surface.

Use common sense and read this manual carefully. The product should under no circumstances be used, unless these safety and operating instructions have been read first.

Ensure that children, other persons or animals are adequately supervised during the use of this product.

This Classic bioethanol stove has been tested to European Standard EN 16647:2016-04, an independent testing agency.

If used in conjunction with this user manual the Classic bioethanol stove is compliant with these standards.

Contact us at info@westbo.net or call us on +4637120101 if you have any problems.

**CAUTION!****Floor protection**

Do not install the ethanol fireplace directly on a carpet or other similar surface that may prevent the air circulation under the product.

**NOTE!****When receiving the stove**

When the stove is received it is important to check the goods to see that the stove is not damaged during transportation. Damages should be notified to the freight company immediately.



Cut the strap and remove the carton.

**NOTE****Product features**

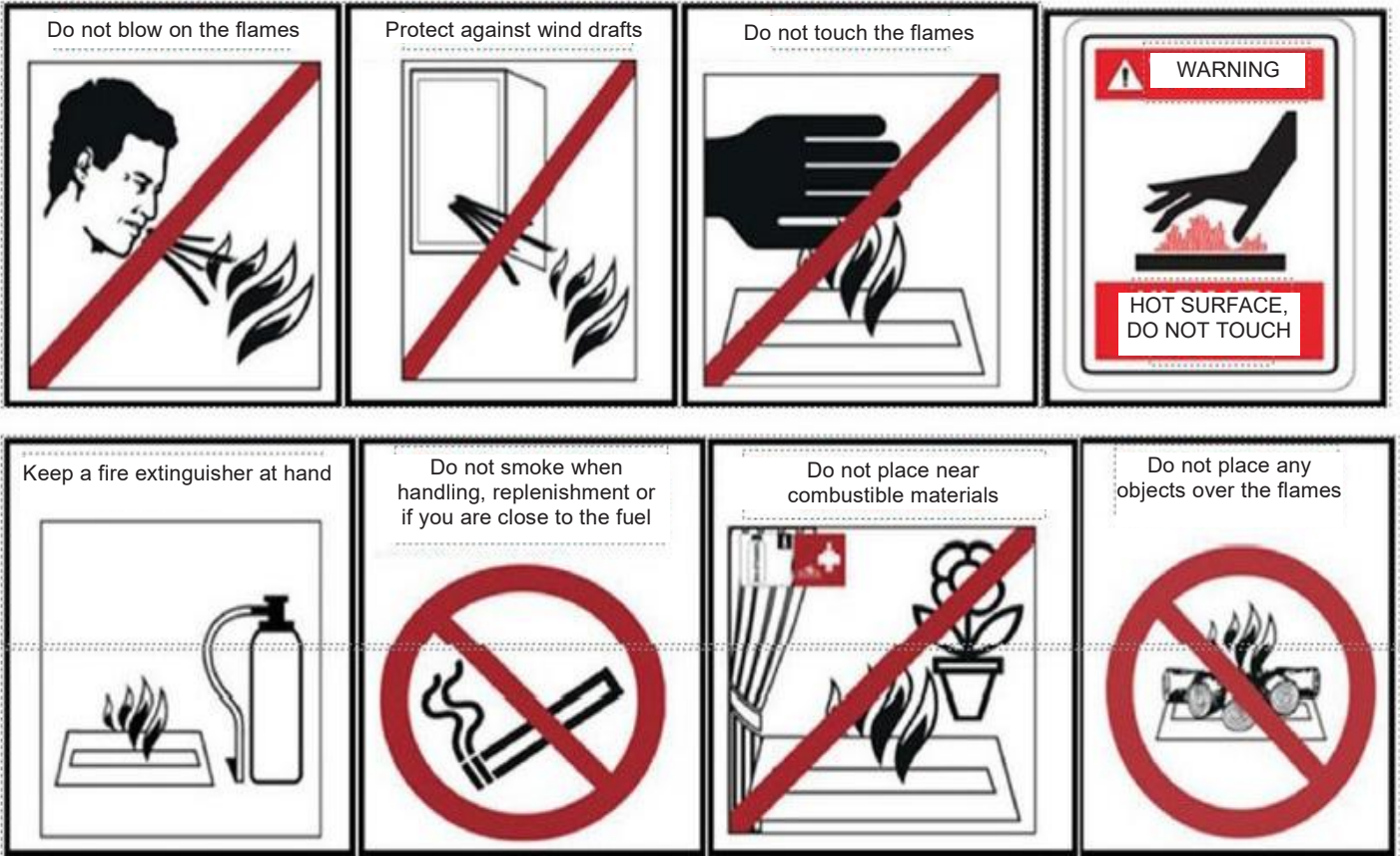
The Westbo Classic is a traditional Swedish cast iron stove. In the past it was placed in small rooms or workplaces with little space and with the need for warmth. The handy stove is easy to place where the space is limited.

The surface treatment of sheet metal parts is made of high temperature resistant environmentally friendly plastic powder, and materials used are nontoxic and harmless and meets the environmental standards.

The body of the stove is made from cast iron.



WARNING!



WARNING!

The following two important safety symbols are found on the steel burner box and mean:

DO NOT FILL WHEN WARM OR IN OPERATION



**CAUTION!**

- Restrict the use of this appliance to persons who read, understand and follow the warnings and instructions in this manual as well as any markings on the stove.
- By purchasing this product, you agree to always exercise common sense when operating the stove.
- For decorative and domestic use only.
- Ensure that children, other persons & animals are adequately supervised during the use of this product.
- Never put petrol inside or near the bio fire. This is extremely dangerous.
- Only use in an adequately ventilated rooms with a minimum volume of 45 cubic metres.
- Never leave a lit fire unattended.
- The fireplace is meant for use as a secondary heat source and is not suitable for cooking food or boiling water.
- Do not use as a multi burner or open fire.
- Do not use any other liquid or solid combustible materials other than bioethanol fuel.
- Always extinguish the fire fully before going to sleep.
- Before refilling the steel fuel box with the bioethanol fuel, always ensure the fuel box has returned to room temperature (this takes approximately 30 minutes from extinguishing the fire).
- Bioethanol combustion uses oxygen from the air inside the room and releases carbon dioxide (non-toxic) and water vapours. The room should be well ventilated with enough oxygen and fresh air being supplied (e.g. partly open window/air vents).
- Do not block any existing air vents in the room.
- Do not position the stove where any draughts could make the flame in the fireplace behave erratically.
- This bio fire and stainless-steel fuel box should always be placed on a stable, flat horizontal surface and away from any combustible materials.

**CAUTION!**

- This stove becomes hot with use, especially external surfaces.
- Always stay at least 1 metre from the bioethanol stove when lit.
- Not suitable for continuous operation.
- Keep children and pets a safe distance from the fireplace.
- We recommend that you use a "Fire screen" to keep children and pets away from the fireplace.
- Do not allow your hair or clothes to get near the lit stove.
- Do not blow into or fan the fire.
- Do not place paper, cardboard, fabric, clothing or any other flammable materials on or around the stove.
- Do not smoke while lighting or anywhere near the stove.
- Do not operate if under the influence of alcohol, drugs or prescribed medication.
- The stainless-steel fuel box supplied must be replaced if there are any signs of cracks, corrosion or misshaping. Please contact us at info@westbo.net to discuss a replacement.
- Always observe local legislation.
- Do not use near flammable gas.
- Only use parts supplied or approved by the supplier of your bioethanol stove.
- Do not put any ornaments or flammable items on top of the fireplace at any time.
- Never cover or obstruct any air slots or ventilation slots.
- Never stand on a chair or stool etc to pour your bioethanol fuel in the fuel box.
- Never change the construction of the stove.
- Take care not to damage, knock or scratch the safety glass. Doing so may impact on its performance or risk the glass shattering.
- If you need to relocate your stove, always ensure it is fully cooled before moving the stove.

**CAUTION!**

- Always use the supplied tool and glove when operating this bioethanol stove. Failure to do so is dangerous as the external surfaces of this range of fireplaces become much hotter than other models as the flame is fully enclosed.
- If you are positioning this stove within a chimney breast or other enclosed space, please allow a minimum clearance area around the body of the fireplace of 150 mm.
- Never fill biofuel past the “MAX” steel label inside the bioethanol fireplace.
- The fire will only ignite if the steel box has at least 500 ml of bioethanol fuel.
- Always close the door of the fireplace immediately after it has been lit.
- The door should remain closed during the operation of the fire.

**CAUTION!****No spill fuel box**

- Always follow the instructions shown on the packaging of bioethanol fuel and store out of reach of children and animals.
- Only bioethanol fuel specifically produced for bioethanol fireplaces/stoves is suitable for this stove.
- It is extremely dangerous to use bioethanol car fuel, other liquid or gel fuels (gasoline, diesel, petrol, lighter fluids, solvents, thinners, etc.) or solid fuels (paper, cardboard, wood, charcoal, lighting cubes, etc.) or a mix of fuels.
- Never use any accelerants in or near your bioethanol stove. This is extremely dangerous.

**NOTE**

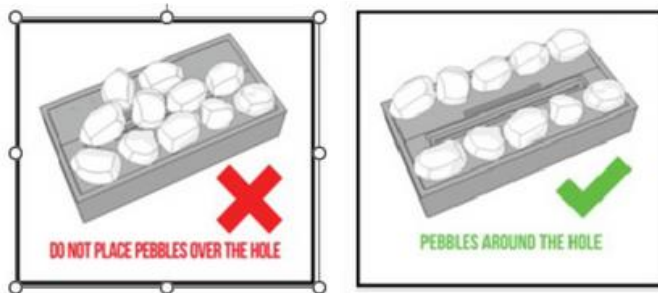
- The fuel boxes are designed to quickly absorb up to 1 litre of fuel, preventing spillage if the fireplace is accident- tally knocked.
- Never pour more than 1 litre of fuel into the fuel box at any time and never fill past the “MAX” label at the bottom of the box.

**CAUTION!****No spill fuel box**

- Do not leave any bottles of bioethanol fuel or lighters on or near the stove or shelf.
- Do not store bioethanol fuel near the appliance. Store it only in a location that will remain cool, dry and fire safe. Always ensure the container is tightly sealed.
- Take care not to spill any fuel on or near the appliance. Any spilled fuel must be cleaned before lighting.
- Before lighting, always check no bioethanol fuel has spilled into the outer tray of the fuel box and remove any spillage before lighting.
- Always remove any spilled bioethanol fuel from any pebbles, logs, or other decorative items on your appliance.
- Bioethanol burns best when at room temperature. In temperatures below 10 degrees Celsius the liquid will not ignite easily, and it will take more time for an attractive flame to develop.
- During each attempt to light the fire, be sure that it hasn't already ignited and that the flame is just not visible yet. This is particularly important when using outdoors, as it can often be harder to see the initial flame in daylight.
- Keep the fuel box closing plate shut for approximately 15 minutes before refilling.
- In case of injury or swallowing bioethanol liquid, immediately call a doctor or hospital for treatment and show them the label or packaging of the bioethanol fuel bottle.
- Remember that any fuel left inside the bottle remains flammable! Always keep it away from any fire source, and always out of reach of children and animals. Never pour biofuel down drains. Follow municipal bylaws for the appropriate storage and disposal of bioethanol fuel.
- We strongly recommend that you only use bioethanol fuel with at least 95% alcohol content.

**WARNING!****Warning on use of decorative pebbles or logs**

If you wish to use any decorative ceramic pebbles or logs with your Westbo Carl 95 bioethanol stove please note the following:



The decorative pebbles or other similar products should never be used to cover the opening of the burner.

Only position the decorative items around the opening of the steel burner box as indicated.

**NOTE****Operating your Westbo Classic bioethanol fireplace**

Please note that images shown may be different to the appearance of your bioethanol fire, but the general principles of operating are the same. Once you have assembled your fireplace (if required) you are now only a few minutes away from enjoying the real flame.

**CAUTION!****How to handle**

- Ensure that the burner is faced as in picture facing the front of the fireplace.



- Only use bioethanol fuel. Use of other fuel or accelerants are extremely dangerous.
- Only pour bioethanol fuel into the steel fuel box when the fire is fully installed.
- Ensure that both inner fuel box and outer chamber is empty and clean, at room temperature and dry before filling with bioethanol fuel.
- Regularly check the inner steel fuel box and the outer chamber for any signs of misshaping or leakage. Do this before each filling of fuel tank.
- Ensure that any fittings used are not rusty, and suitable for supporting the fireplace.
- Fill the steel burner box with bioethanol fuel. It is recommended to use a funnel or squeezable bottle.
- Never pour more than 1 litre of fuel into the fuel box at any time and never fill past the "MAX" label at the bottom of the box. Burning period is approx. 3-4 hours depending on ethanol quality (1L)
- It is recommended that a period of 1-minute elapses before lighting the fuel. This allows the fuel to be absorbed by the ceramic fibres.
- Fully remove all spilt fuel with an absorbent cloth and clean area of spillage to prevent ignition outside the burner reservoir.
- Ignite the fuel in the fuel box using a fire lighter or extended match held at arm's length.

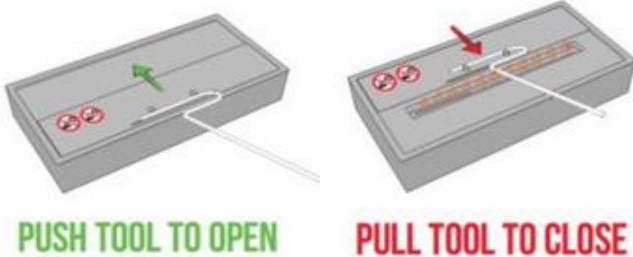
**CAUTION!****How to handle**

- During each attempt to light the fire, be sure that it hasn't already ignited and that the flame is just not visible yet. This is particularly important when using outdoors, as it can often be harder to see a flame in daylight.
- Be careful not to burn fingers, catch loose clothing or hair in the flame.
- The flame will initially burn low and blue in colour. Allow 5-10 minutes to reach the optimum temperature and flame height, when the flame will glow with a yellow colour.
- To adjust the flame height, use the tool supplied to move the metal sliding plate more (to reduce flame height) or less (to increase flame height) over the opening of the fuel box.
- For the first couple of uses, there is a very slight temporary odour, which is perfectly normal and will disappear within a few uses.
- Never blow out the flame to extinguish your bio fire. See 'Extinguishing the fire' section on next page.
- NEVER pour any fuel on top of a flame. Always allow the existing flame to be extinguished fully and the steel burner box to be at room temperature (allow around 30 minutes) before adding any more fuel.
- Before reigniting make sure that the burner is in room temperature and use firelighter or extended match held at arm's length when reignite.
- DO NOT ignite the appliance if it is in a hot state.

**NOTE****Extinguishing your bioethanol fireplace**

Please note that images shown may be different to the appearance of your bioethanol fire, but the general principles of operating are the same.

- To put out the flames, use the closing tool to pull the stainless-steel shutter over the opening. See pictures below. If the flames do not go out immediately, open the shutter and pull it closed again. Only use the closing tool provided with your fireplace.



- Wait until the flame is completely extinguished and the box has cooled before touching any part of the fireplace.
- Do not open the fuel box for at least 3 minutes after it has been closed. This will give plenty of time to ensure the flame inside is completely extinguished and will not reignite when opened.
- Before refilling, wait at least 30 minutes to allow the fuel box to return to room temperature.
- Always ensure that the stainless-steel shutter is closed before leaving the fire unattended.
- If for some reason the appliance malfunction and the fire cannot be extinguished by above steps, please use a fire blanket or fire extinguisher (powder) to end the fire.

**NOTE****Maintenance of your bioethanol fireplace**

Over time, heat from the stove can cause the steel burner or surfaces of the appliance to change colour.

Regular maintenance and cleaning will help to reduce any tarnishing.

- From time to time there may be some temporary discoloration on the paintwork of your bioethanol fireplace. This is simply harmless residue from the burning of the bioethanol fuel and can be removed by using a non-scratch sponge with washing up liquid. It is not a fault of the product.
- Ensure that the fuel box contains no fuel before cleaning.
- Never use chemicals, steel wool or abrasive cleaning products, as these can scratch the surface.
- Use a glass cleaner to clean the safety glass.
- Do not clean the burner box with water or put in a dishwasher.
- Once the fireplace is cleaned, ensure it is dry before attempting to light.

**NOTE**

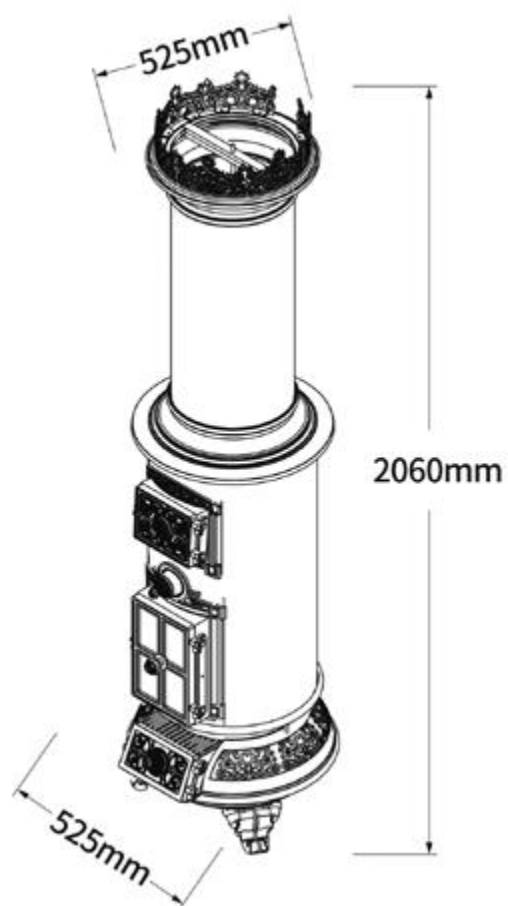
- Over time the stainless-steel fuel box may start to discolour. This is a natural reaction to the high heat that is produced. It can be removed by using an approved stainless-steel cleaner. Just rub the cream in the direction of the "grain" of the steel.
- Regularly check the inner steel fuel box and the outer chamber for any signs of misshaping or leakage.
- If you intend to keep the fire outside, please keep it covered with a waterproof cover when not in use and do not store it outdoors all year round. When uncovering the fireplace, ensure that there is no water in the fuel box or in the fireplace before use as water can collect internally and damage the fire. (Note -We do not sell the waterproof covers, but most DIY outlets have general covers for this purpose)
- The manufacturer cannot be held responsible for any damages resulting out of faulty use and/or cleaning of the product.

**NOTE****Positioning your bioethanol fireplace**

- Never position the fire in a location where there is a risk of wind blowing the fire into flammable items or materials.
- Only install in locations that are protected against cross-aeration/air draughts.
- Please be sure the wall/table/floor you are placing this stove on can bear its weight.
- Do not use the stove near curtains, fabrics, furniture or other flammable materials.
- Ensure that all flammable items are as per the minimum distances below from the fire and ensure there is a fire extinguisher nearby. The fire extinguisher should be of the alcohol resistant foam, BC powder or Carbon dioxide type. Always read the manufacturers instruction before using the extinguisher.
- Do not use the stove in caravans, boats, and vehicles or in unventilated rooms.
- Only operate more than one bioethanol stove in the same room if the total power output from all stoves is lower than 2kw/h and make sure the room is adequately ventilated.
- Only use parts supplied or approved by the supplier of your bioethanol stove.
- Never move the stove when in use.

**NOTE****Minimum distances to flammable materials are:**

Top	– 600 mm
Back	– 150 mm
Side	– 150 mm
Front	– 1000 mm

**Technical data**

Weight	115 kg
Height	2060 mm
Width	525 mm
Deep	525 mm
Approx heat output	2 kW
Material	Cast iron

WARRANTY

Warranty is valid for 1 year from the date of purchase. In the event of a warranty claim, the time of purchase must be supported by a receipt or similar.

Warranty claims must be made to the place of purchase. No warranty is given on the product if it has been modified or rebuilt. Defects/damages caused by negligence on the part of the user are not covered by the warranty.

The warranty applies only to the first buyer and is not included in the sale.



Yours sincerely

Mattias Gunnarsson
Managing director
Westbo of Sweden AB